



Schaff Engineering Private Limited
#10/1, 6th Cross, Lakshmipura Main Road, Abbigere, Bangalore 560090
<http://schaff.asia>, schaff.eng@gmail.com

Soulmate : 300M

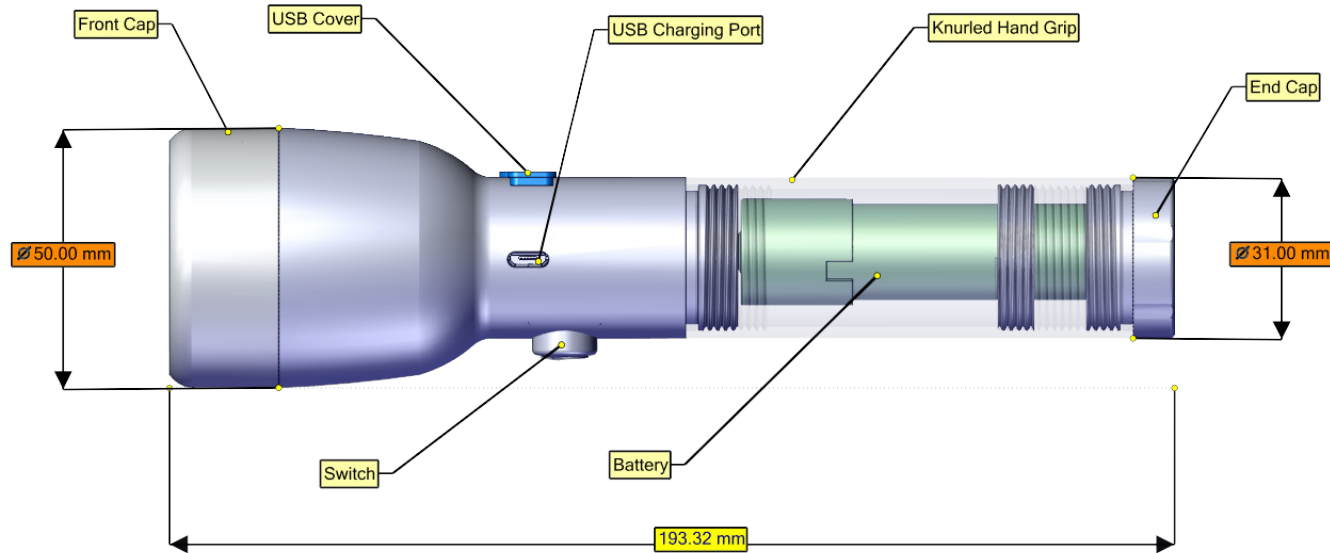


Schaff Soulmate Led FlashLight is manufactured under Stringent Quality Control at our Manufacturing Unit in Bengaluru, Karnataka.

With User Friendly Design, Schaff HDV2 Heat Management System and High Reflective Optics, **Schaff Soulmate** Led FlashLight is the Bench Mark for Quality, Reliability and Performance.

Features

Soulmate : 300M

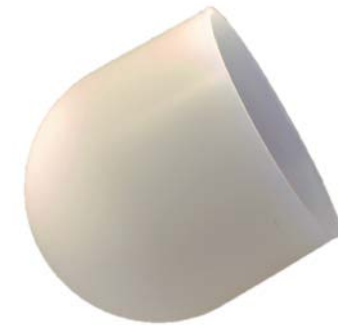


Schaff HDV2 Control Board

- SUPERIOR THERMAL MANAGEMENT DESIGN
- SMD ROBOTIC BASED ELECTRONIC BOARD MANUFACTURING
- LINEAR DRIVE TECHNOLOGY ENSURES SAME OUT-PUT PERFORMANCE TILL THE END OF BATTERY CHARGE
- PROTECTED USB BASED CHARGING



Schaff Propreitory Design Battery Interface ensures Consistent and trouble free Performance in demanding and varied climatic conditions



Turn Your FlashLight into an LED Bulb
At times of emergency when you require a spread or diffused Light instead of a long Beam Light, Just insert the Schaff Dif-fuser into the head of the FlashLight. Your FlashLight turns into a Bulb giving you diffused and Spread Light

Detailed Specification

Soulmate : 300M

Soulmate Led FlashLight System	
General	
Body	Military Grade Aluminium Alloy
Surface Finish	Matted
Colour	Matt Black
Hand Grip	Ribbed Barrel
Surface Treatment	Hard Anodized for Scratch Resistance Surface
Gaskets & Switches	Silicon based for prolonged user Life
Reflector	Ø 40 mm Optics
Front Glass	Shatter Free Acrylic Glass
Switch	Tactical Switch Superior Operation
Lantern Mode	Ø 50 mm Diffuser
Size	
Head Diameter	Ø 50 mm
Hand Grip Diameter	Ø 31 mm
Length	194 mm
Weight	285 Gms (without Battery)
Light	
Source	SMD LED
Type	CREE LED
Light Out Put	> 45k Lux
Light Colour	Cool White
Throw	350M + in Lab Condition

Power Source	
Battery	3.7 V Lithium-Ion Rechargeable
Capacity	2600mAh
Size	Cylindrical Ø21 x 75 mm
Interface	Ø1.3mm Pin
Battery Protection Circuit	✓
Charging	
Charging Port Interface	Usb to Micro Usb
Charging Time	4 Hrs approx
Charger Type	SMPS Based
Power In	230 V 50 Hz
Power Out	5 V 1A
Charge Indication	Red : Charging Green : Fully Charged
Charge Protection	✓
Operating Modes	
Cyclic Operation Switching : Can be Customized	Turbo Mode : 4.0 Hrs Run Time
	Eco Mode : 7.5 Hrs Run Time
	Flash Mode : 4.0 Hrs Run Time
Low Battery Indication	3 Blinks and Auto Shut Off

Additional Schaff Proprietary Features

- **Linear Power Delivery** : Uniform Power Out Put of light from Full Charge of Battery till the end of Battery Charge. This Ensures that the Flashlight Light output is Powerfull and useable through out the entire recharge cycle of the Battery.
- **USB Charging Interface** : The FlashLight is Provided with USB Charging with inbuilt Charge Protection. USB Charging is the Industry Standard in charging and the flashlight can be charged using any of the mobile chargers available with USB charging facility. USB chargers are more safe and Fool Proof than pin based chargers.
- **Schaff HDV2 TMS**: Soulmate Control Boards are equipped with Proprietary Schaff HDV2 based Thermal management System for Longer life of Electronic Circuit Boards.
- **Schaff Battery Interface** : Our Proprietary Pin Based Battery Interface ensures Un-Interrupted Power supply under varying and extreme environmental and climatic conditions.
- **Night Find** : Our USB covers are provided with Radium which glows up in night making it easy to locate the Flashlight in Dark.
- **Zero Self Discharge Batteries** :Our Batteries are Designed for Zero Self Discharge. Hence need not remove the Battery when the flashlight is not in use.
- **Diffuser** : Turn the FlashLight in to a Led Bulb by inserting the Diffuser. Provides an Diffused/Spread Light to an approximate area of 100 Sq Ft.

Warranty :

Schaff Manufactures its Products at its manufacturing unit based in Bangalore, Karnataka.

With Inbuilt facility right from design to manufacturing, Schaff products are manufactured under stringent Quality and Process Controls.

Availabilty of Spares and Services on time is a peace of mind for the customers.

Schaff FlashLight Systems comes with a **Limited LifeTime Warranty Certificate**.

To know more about our Warranty Policy, Our Other FlashLight Systems, Spares and Services, Dealership and Distribution, Please get in touch with us

Schaff Engineering Private Limited

✉ schaff.eng@gmail.com

☎ +91 9035330888

<http://schaff.asia>

The Information provided in this Broucher is protected under Schaff Copyright 2022-2023. Misuse of the above information or using of this information for any purpose other than prod-uct information is strictly prohibited.

Product Specification may change with out notice

Images shown are for reference only.