



Schaff Engineering Private Limited
#10/1, 6th Cross, Lakshmipura Main Road, Abbigere, Bangalore 560090
www.schaff.co.in, schaff.eng@gmail.com

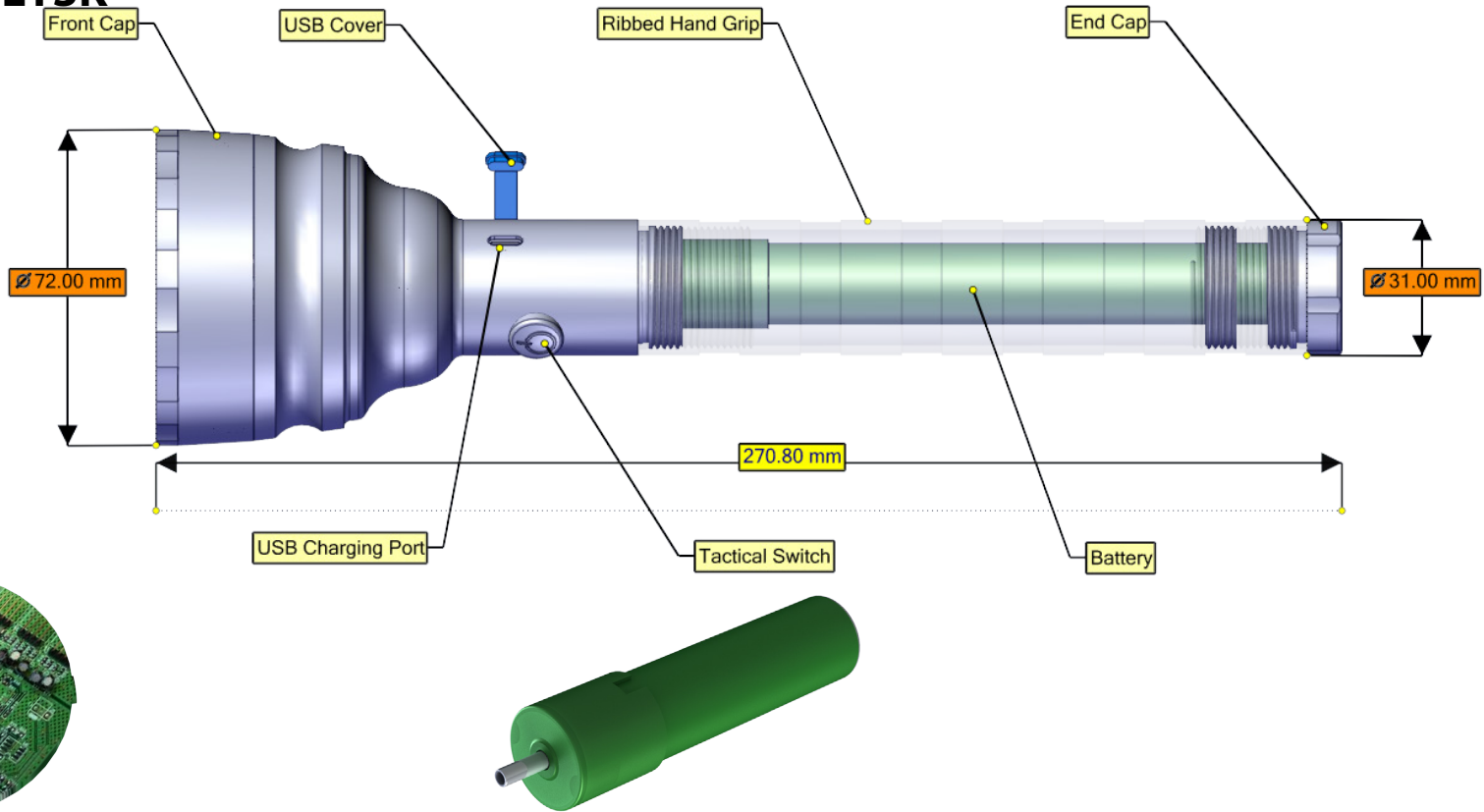
Enlight Turbo: ET3K



Schaff Enlight Led FlashLight is manufactured under Stringent Quality Control at our Manufacturing Unit in Bengaluru, Karnataka. With User Friendly Design, Schaff HDV2 Heat Management System and High Reflective Optics, **Schaff Enlight** Led FlashLight is the Bench Mark for Quality, Reliability and Performance.

Features

Enlight Turbo : ET3K



Schaff HDV2 Control Board

- SUPERIOR THERMAL MANAGEMENT DESIGN
- SMD ROBOTIC BASED ELECTRONIC BOARD MANUFACTURING
- LINEAR DRIVE TECHNOLOGY ENSURES SAME OUT-PUT PERFORMANCE TILL THE END OF BATTERY CHARGE
- PROTECTED USB BASED CHARGING

Schaff Propreitory Design Battery Interface ensures Consistent and trouble free Performance in demanding and varied climatic conditions

Detailed Specification

Enlight Turbo: ET3K

Enlight Turbo Led FlashLight System	
General	
Body	Military Grade Aluminium Alloy
Surface Finish	Matted
Colour	Matt Black
Hand Grip	Ribbed Anti-Slip Grip
Surface Treatment	Hard Anodized for Scratch Resistance Surface
Gaskets & Switches	Silicon based for prolonged user Life
Reflector	Ø 64 mm Optics
Front Glass	Mitsubishi Shatter Free Acrylic Glass
Switch	Tactical Switch Superior Operation
Night Find	Radium Glow Based USB Cover
Size	
Head Diameter	Ø 72 mm
Hand Grip Diameter	Ø 31 mm
Length	271 mm
Weight	415 Gms (without Battery)
Light	
Source	SMD LED
Type	CREE LED XML-T6 9.8 Watts
Light Out Put	> 60000 Lux - 900 Lmns
Light Colour	Cool White
Throw	500 M +

Power Source	
Battery	3.7 V Lithium-Ion Rechargeable
Capacity	5200mAh
Size	Cylindrical Ø21 x 140 mm
Interface	Ø1.3mm Pin / Relay Mate
Battery Protection Circuit	✓
Minimum assured Re-Charging of 1500+ Cycles	
Charging	
Charging Port Interface	USB
Charging Time	7 Hrs approx
Charger Type	SMPS Based
Power In	230 V 50 Hz
Power Out	5 V 1.5 A
Charge Indication	✓
Charge Protection	✓
Operating Modes	
Cyclic Operation Switching Can be Customized	Power Saving Mode : 8 Hrs Run Time
	Performance Mode : 6 Hrs Run Time
	Turbo Mode : 3 Hrs Run Time
	Flash Mode : 3 Hrs Run Time
Low Battery Indication	3 Blinks and Auto Shut Off



Additional Schaff Proprietary Features

Enlight Turbo : ET3K

- **Linear Power Delivery** : Uniform Power Output of light from Full Charge of Battery till the end of Battery Charge. This Ensures that the Flashlight Light output is Powerful and useable through out the entire recharge cycle of the Battery.
- **USB Charging Interface** : The FlashLight is Provided with USB Charging with inbuilt Charge Protection. USB Charging is the Industry Standard in charging and the flashlight can be charged using any of the mobile chargers available with USB charging facility. USB chargers are more safe and Fool Proof than pin based chargers.
- **Schaff HDV2 TMS**: Enlight Control Boards are equipped with Proprietary Schaff HDV2 based Thermal management System for Longer life of Electronic Circuit Boards.
- **Schaff Battery Interface** : Our Proprietary Pin / Relay Mate Based Battery Interface ensures Un-Interrupted Power supply under varying and extreme environmental and climatic conditions.
- **Night Find** : Our USB covers are provided with Radium which glows up in night making it easy to locate the Flashlight in Dark.
- **Zero Self Discharge Batteries** :Our Batteries are Zero Self Discharge. Hence need not remove the Battery when the flashlight is not in use.

Warranty :

Schaff Manufactures its Products at its manufacturing unit based in Bangalore, Karnataka.

With Inbuilt facility right from design to manufacturing, Schaff products are manufactured under stringent Quality and Process Controls.

Availability of Spares and Services on time is a peace of mind for the customers.

Schaff FlashLight Systems comes with a **Limited LifeTime Warranty Certificate.**

To know more about our Warranty Policy, Our Other FlashLight Systems, Spares and Services, Dealership and Distribution, Please get in touch with us

Schaff Engineering Private Limited

✉ schaff.eng@gmail.com

☎ +91 9035330888

☎ +91 9880637080

The Information provided in this Broucher is protected under Schaff Copyright 2018-2019. Misuse of the above information or using of this information for any purpose other than product information is strictly prohibited.

Product Specification may change with out notice

Images shown are for reference only.